

# SPLIT PHASE LV SERIES

## 110-120V / 220-240V Hybrid Solar Inverter

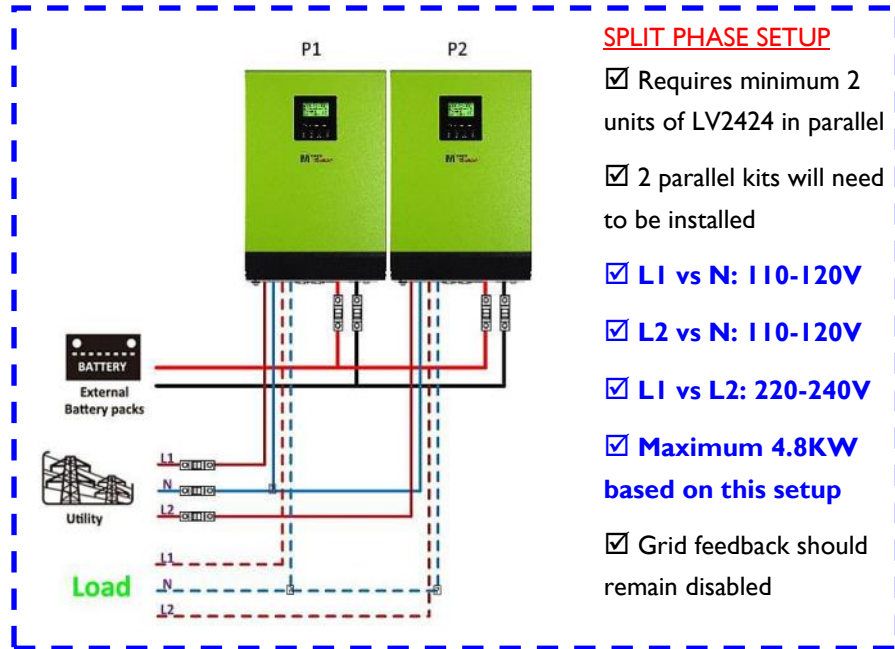
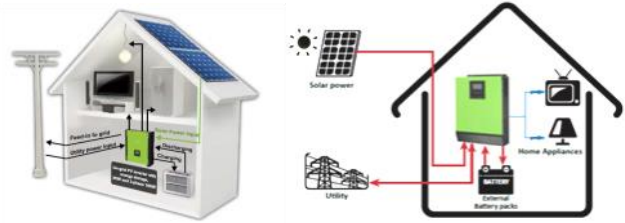
Suitable for use in USA/Puerto Rico, and Canada where split phase power standard is used.



### MAIN FEATURES

- **SPLIT PHASE output** capable 110-120V/220-240V (requires 2 units in parallel, max 4.8kw)
- Pure sine wave output 2.4kw, 24VDC
- Ideal for off-grid or grid optional application
- MPPT built-in solar charger max up to 80A
- Max PV input volt 145V
- Max PV input power up to 2KW
- Utility charging up to 60A max
- Parallel operation up to 9 units max, in single phase, split phase, or 3-phase applications
- Supports generator input (grid-tie disabled)\*
- Programmable parameters
- Wide AC input range
- Lightweight, easy to install
- FREE monitoring software
- LCD Display + LED indicators
- USB, RS232 communication interface

\*\*requires inverter-type generator of acceptable output quality



### SPLIT PHASE SETUP

- Requires minimum 2 units of LV2424 in parallel
- 2 parallel kits will need to be installed
- L1 vs N: 110-120V**
- L2 vs N: 110-120V**
- L1 vs L2: 220-240V**
- Maximum 4.8KW based on this setup**
- Grid feedback should remain disabled

### HYBRID LV SERIES

### LV 2424

#### STANDARD RATING

Continuous Output	2400W
System DC Volt	24VDC
<b>Split Phase Capable</b>	<b>YES (requires minimum 2 units in parallel)</b>
Maximum Parallel	Up to 9 units, in single-, split-, or 3-phase

#### PV INPUT / SOLAR CHARGING

Max PV Input Power	2000w
Max PV Input Volt	145VDC (open circuit Voc)
MPPT Range	30 - 115VDC
Number of PV Input	1
Max Charging Current	80A

#### BATTERY OUTPUT MODE

Output Waveform	Pure Sine Wave
Nominal Output Volt	101/110/120 VAC, Single Phase
Frequency	50 / 60Hz, auto-sensing
AC Input Transfer Relay	40A
Max Efficiency	>90%
Max Utility Charging	60A
Max Utility + Solar Charging	140A

#### ENVIRONMENTAL / MECHANICAL SPECIFICATIONS

Communication Port	USB / Dry Contact
Operating Temp.	0 - 50°C
Operating Humidity	0 - 90% RH (No Condensing)
Dimension	468*295*120
Net Weight	11Kg

MPP Solar Inc. reserves the right to change product specification without notice. MPP Solar is a registered trademark.